

# Protruding signs

## Vista series, Flag style



Vista's flag sign is designed to accept standard size curved extrusions to create a double sided well noticeable way-finding element. The smart design allows for an easy installation and removal of the sign for painting or other maintenance.

### **Dimensions:**

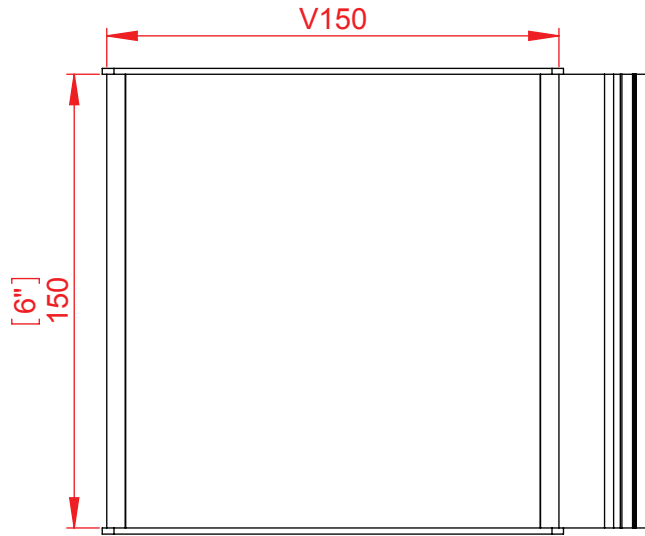
Vista Flag sign frames are offered in 9 different widths:

3.84", 4.64", 5.82", 7.8", 8.27", 8.27", 11", 11.69", 15.59"

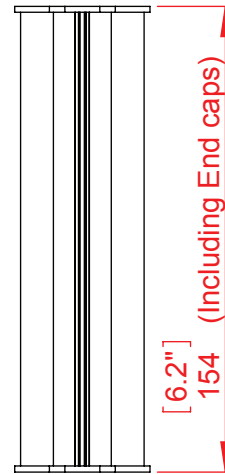
(V100, V120, V150, V200, VA4, V-Letter, V11, V300, V400 (mm))

Length: 3.93"-17" (100 mm – 432 mm)

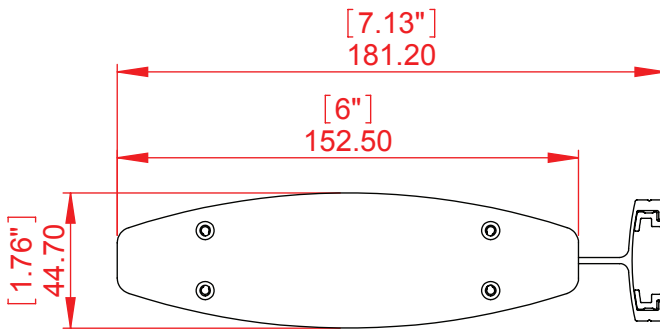
Custom lengths are available.



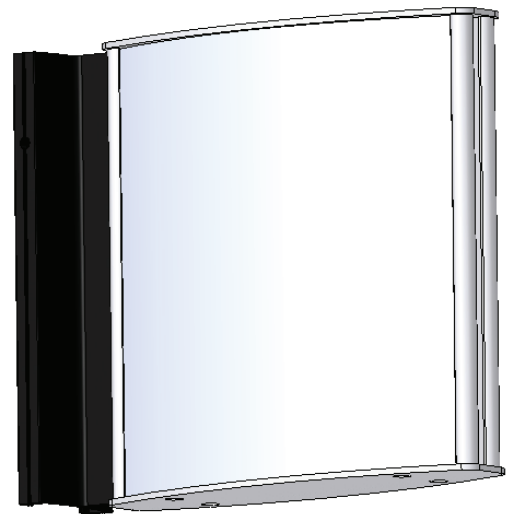
Side view



Front view



Top view



Isometric view



Project		Designer: R.C
Model	Projected Flag sign V150x150	Date: 22/03/2015
Part Number	FS5	Scale:
Material		Measurements in millimeters Do not scale drawing

**Proprietary and confidential:** The information contained in this drawing is the sole property of Vista system Limited. Any reproduction; copying; distribution or any other use in part or as a whole without the written permission of Vista system Limited is prohibited. This ban includes any use by any third party that did not receive this information from Vista system Limited.